

MODEL 103iFO PARTS LIST OPERATING & MAINTENANCE INSTRUCTIONS



Q SERIES

28" HG MAX. VAC. 10 CFM OPEN FLOW

*Vane Life Rated at: 5,000 to 15,000 hrs.
Depending on Application*

PRODUCT FEATURES

- **Oiless operation**
- **Rugged construction/low maintenance**
- **Essentially pulse-free service**

OPERATING & MAINTENANCE INSTRUCTIONS

CAUTION: NEVER LUBRICATE THIS "OIL-LESS" PUMP

CONSTRUCTION: Your rotary pump is a precision product with only .0015" - .005" clearance at the top and ends of the rotor. The unit is built of steel and cast iron and is designed for pumping dry air. Protect it from excessive dirt and moisture, give it proper care and preventative maintenance and you will receive years of trouble free service.

SERVICING: Most failures to produce vacuum are due to leaks in connecting lines, dirty filters, dry or damaged filter O-rings, or sluggish vanes. See "Cleaning" for care of filters or vanes which may stick in rotor slots due to presence of foreign particles or liquid residues.

CLEANING: (recommended monthly) With pump off, remove filter felts. Clean them with flushing solvent or air pressure, replace if needed. When clean & dry, replace. Be sure to check that O-rings are in place, as this will prevent proper sealing and result in loss of vacuum, replace if necessary. If your unit is equipped with a sintered brass silencer, clean monthly with flushing solvent.

FLUSHING: (recommended every 3 months to maintain vane life) Always perform this in a well ventilated area! Eye protection is recommended. Keep face away from exhaust port and NEVER use flammable or petroleum based solvents!!

To flush pump of dirt, viscous oil, or liquids, etc. Remove front filter assemblies. Screw in threaded elbow flushing tubes where filters were removed. With pump running, spray solvent into inlet elbow. Spray solvent about 5-10 seconds. Take precautions as solvent, dirt, liquids, etc. will exit exhaust port, we recommend holding an absorbent rag about 2 inches away from exhaust port while flushing, or point elbow in safe direction

Plug off inlet pipe about 10 seconds, if pump sounds smooth repeat 3 more times. (If pump starts chattering or making unusual sounds you may need to install a service kit). Allow pump to run a minute before turning off.

If flushing does not solve problem:

We recommend returning your unit for service, as disassembly of unit will void guarantee.

The following are the only manufacturer approved solvents for flushing, as others may create unsafe / unstable conditions and/or damage pump, rotor or bearings.:

Loctite Safety Solvent, Inhibisol Safety Solvent, Dow Chemical Chlorothane, or AH 255B

Sales Parts and Service Center:

B&C ENTERPRISE

P.O. Box 33

Fairgrove, MI. 48733-0033

(989) 693-6542

PUMP TROUBLESHOOTING GUIDE

Vacuum

Low	High	Possible Cause	Corrective Action
X		Dirty Filter	Clean or Replace
X		Dirty Muffler / Silencer	Clean or Replace
X	X	Reg. Relief Valve too high	Re-adjust
X		Reg. Relief Valve too low	Re-adjust
X		Vanes Sticking	*Flush
X		Vanes Worn	Replace
X		Debris or Fluid in pump	Flush

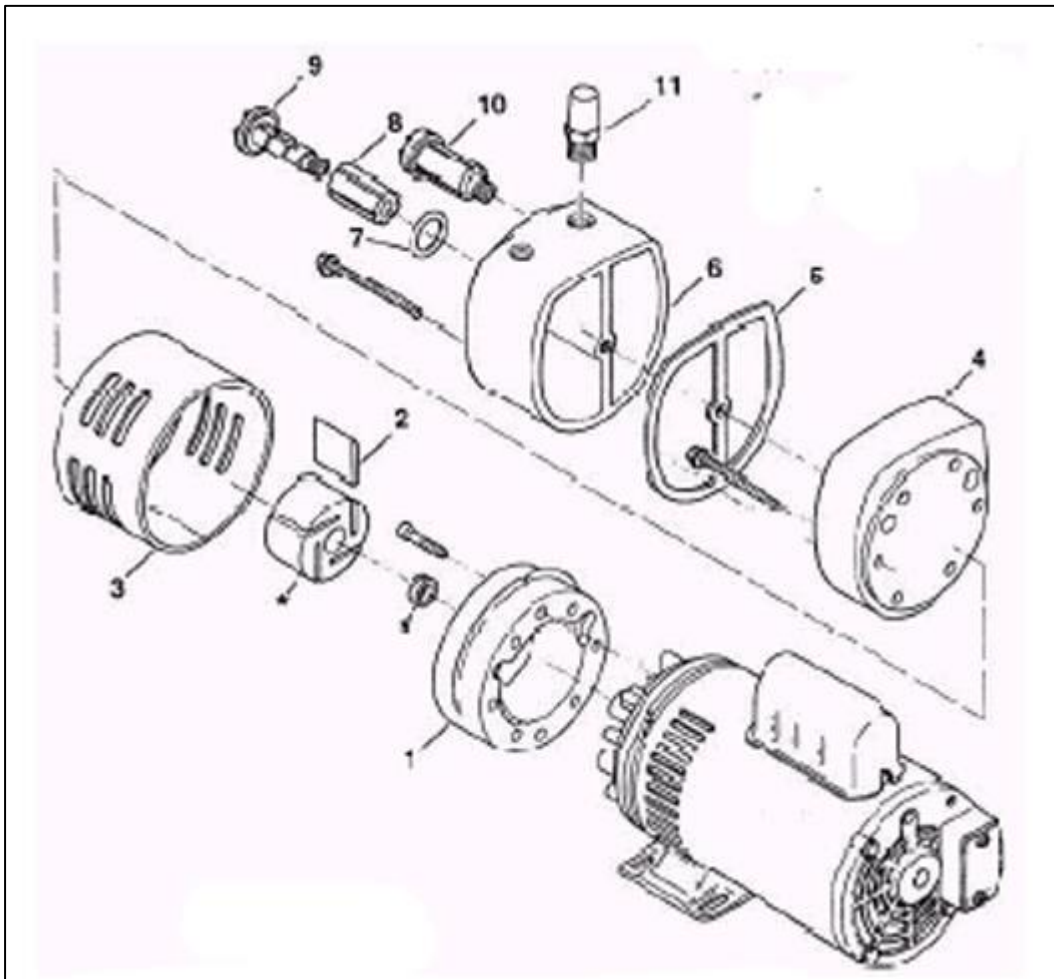
***If repeated attempts to flush pump, does not free-up vanes, disassemble may be necessary.**

It is recommended to send unit in for this procedure, however if you decide to perform it yourself, carefully remove vanes from impeller slots so as not to chip or damage them.

Make note of vane positioning while removing so beveled edge is replaced in same direction. Once removed, using flushing solvent clean out slots and vane surfaces.

If vanes do not slide freely when re-inserted, sand lightly on each side.

EXPLODED VIEW WITH REFERENCE/STOCK NUMBERS



REF.	DESCRIPTION	QTY.	STOCK #
1	BODY	1	AK518
2	VANE	4	AK513
3	SHROUD	1	AK511
4	END PLATE	1	AK514
5	GASKET	1	AK522
6	MUFFLER BOX	1	AK520
7	O-RING	2	AK473
8	FELT FILTERS	2	AK524
9	END CAP	2	AK510
10	END CAP ASSY	2	AK526
11	SILENCER	1	AK840
12	EXH. DEFLECTOR	1	3/8" STREET ELL

VANE
 FELT FILTER
 END CAP
 "O" ring
 CYLINDER BODY
 GASKET
 REBUILD KIT

REF #	PT #	PRICE @	QUANT.
2	AK513	\$16.00	
8	AK524	\$1.25	
9	AK510	\$2.75	
7	AK473	\$0.50	
1	AK518	\$85.75	
5	AK522	\$1.75	
5	K479	\$72.68	

ACCESSORIES

Pre-equip'd

**	<input type="checkbox"/>	HD HANDLE	\$25.00	
	<input type="checkbox"/>	METAL BASE	\$29.50	
	<input type="checkbox"/>	STANDARD BASE	\$17.50	
**	<input type="checkbox"/>	SAFTEY VACUUM SHUT-OFF	\$12.75	
	<input type="checkbox"/>	115V 3 PRONG SWITCHED POWER CORD	\$34.25	
**	<input type="checkbox"/>	3/8" VACUUM REGULATOR BRASS	\$28.75	
	<input type="checkbox"/>	3/8" VACUUM REGULATOR NYLON	\$20.00	
**	<input type="checkbox"/>	3/8" NPT FLUID TRAP	\$45.00	
**	<input type="checkbox"/>	1/4" NPT VACUUM GUAGE	\$15.00	
**	<input type="checkbox"/>	AH255B FLUSHING SOLVENT	\$26.50	
			sub-total	
			MI. only 6% sales tx.	
			s/h	\$6.50
			TOTAL	

** Recommended

Ship To: Name _____
 Street _____
 P.O. if appl. _____
 City, State, Zip _____

Credit Card Payments through Pay Pal only.
To account: schmitzerfarmservice@gmail.com
Check or Money Orders
made payable to Schmitzer Farm Service
can be sent to:
Schmitzer Farm Service LLC
 9803 Frankenmuth Rd
 Vassar, MI. 48768
 989-660-3050

Prices subject to change without notice.